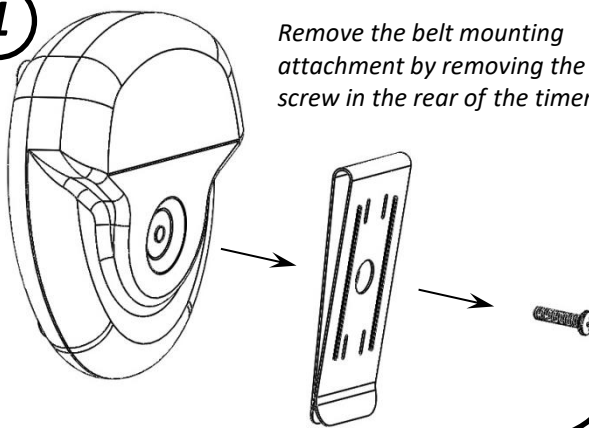


BoxElder Helicopter Systems

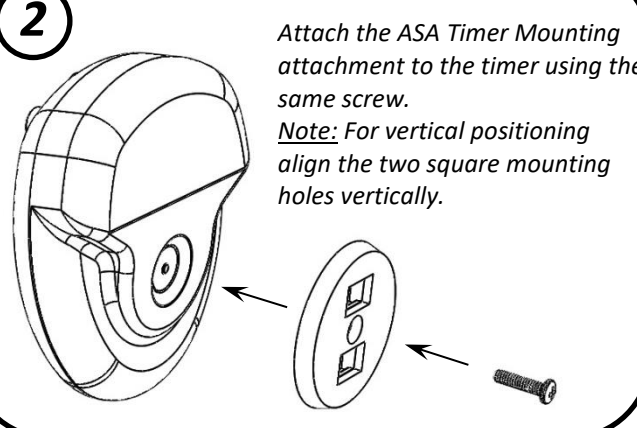


ASA Aviation Timer Mounting Attachment

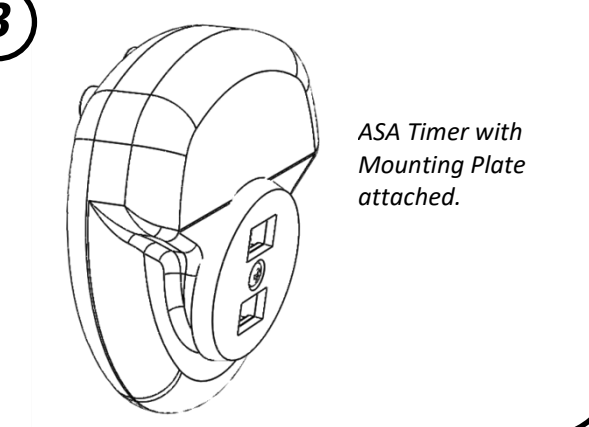
1 Remove the belt mounting attachment by removing the screw in the rear of the timer



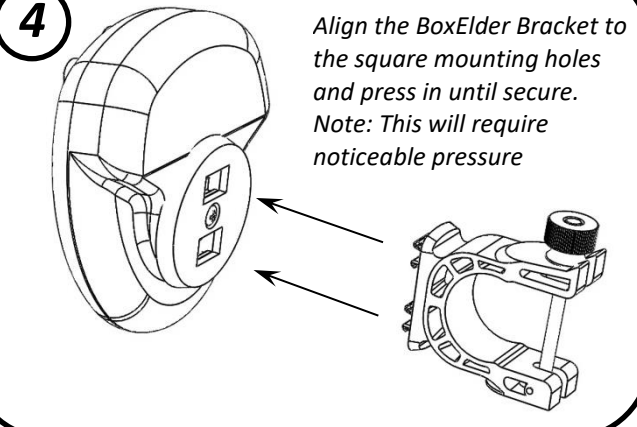
2 Attach the ASA Timer Mounting attachment to the timer using the same screw.
Note: For vertical positioning align the two square mounting holes vertically.



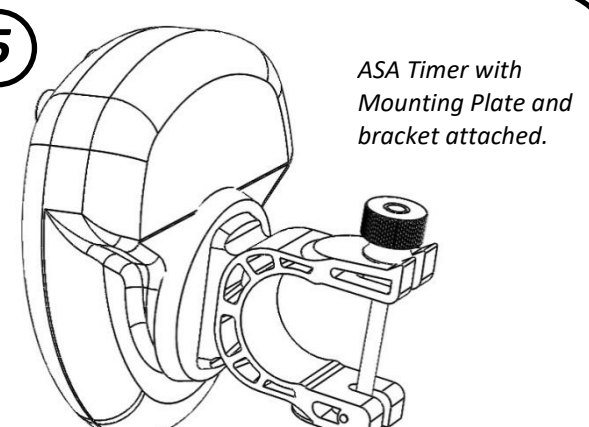
3 ASA Timer with Mounting Plate attached.



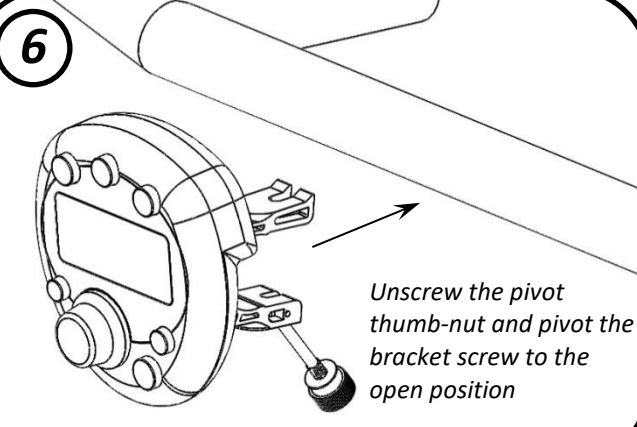
4 Align the BoxElder Bracket to the square mounting holes and press in until secure.
Note: This will require noticeable pressure



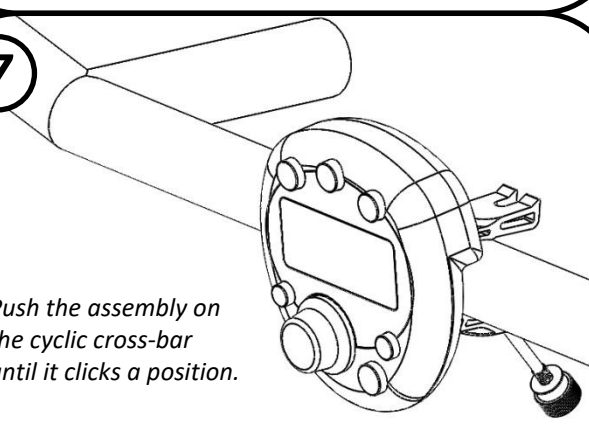
5 ASA Timer with Mounting Plate and bracket attached.



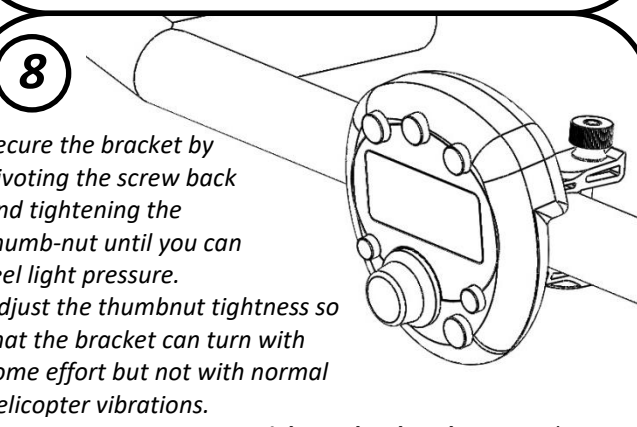
6 Unscrew the pivot thumb-nut and pivot the bracket screw to the open position



7 Push the assembly on the cyclic cross-bar until it clicks a position.



8 Secure the bracket by pivoting the screw back and tightening the thumb-nut until you can feel light pressure. Adjust the thumbnut tightness so that the bracket can turn with some effort but not with normal helicopter vibrations.
Note: Do not overtighten the thumb-nut. Only light pressure is required to secure the bracket.



BoxElder Helicopter Systems



READ ALL INSTRUCTIONS AND WARNINGS BEFORE INSTALLING AND OPERATING YOUR HELICOPTER WHILE USING THIS DEVICE



WARNING!

Do not adjust, remove or manipulate this device while in flight!



WARNING!

Small plastic parts. Do not leave with children younger than 3 years old unattended!



WARNING!

Strong Magnetic Field. Keep more than 18 inches away from compass!

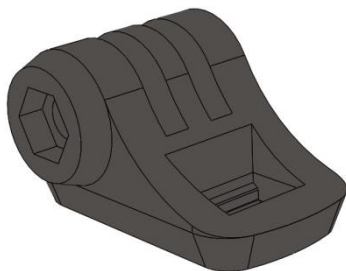


WARNING!

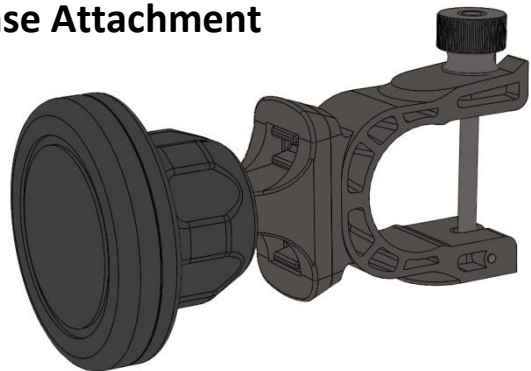
Never attach more than 6oz of weigh at any point on the cyclic crossbar!

Other BoxElder Products

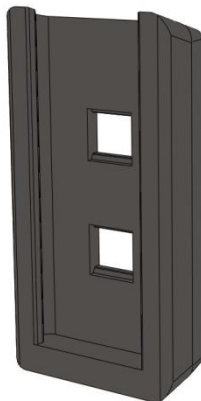
**GoPro Camera
Mounting Accessory**



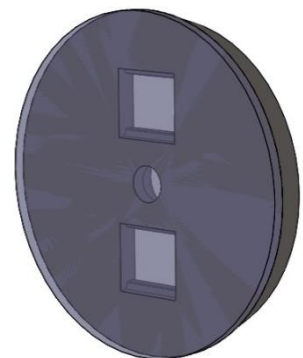
**Magnetic Swivel
Base Attachment**



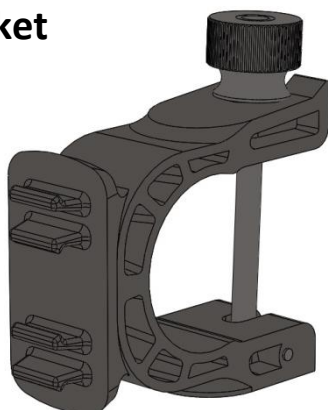
**Sporty's Aviation
Timer Mounting
Plate**



**Universal 1.5"
Disc with double
sided tape or
Velcro**



BoxElder Bracket



Custom Mounting Devices

We develop and manufacture custom mounting plates for a variety of applications. If your solution is not available, please contact us and we will discuss a possible solution to your problem

info@BoxElderHS.com

Tel: 631-508-3286