

BoxElder Helicopter Systems



GoPro Camera Mounting Accessory

1 Align the GoPro Camera Mounting Accessory to the BoxElder Bracket and press in until secure.
Note: This will require noticeable pressure

2 GoPro Camera Mounting Accessory attached.

3 Unscrew the pivot thumb-nut

4 Pivot the bracket screw to the open position

5 Push and Clip the bracket on the cyclic Cross-bar

6 Pivot the bracket screw to the closed position

7 Screw the pivot thumb-nut

Adjust the thumb-nut tightness so that the bracket can turn with some effort but not with normal helicopter vibrations.
Note: Do not over tighten the thumb-nut. Only light pressure is required to secure the bracket.

8 You can adjust the bracket to any angle.

BoxElder Helicopter Systems



READ ALL INSTRUCTIONS AND WARNINGS BEFORE INSTALLING AND OPERATING YOUR HELICOPTER WHILE USING THIS DEVICE



WARNING!

Do not adjust, remove or manipulate this device while in flight!



WARNING!

Small plastic parts. Do not leave with children younger than 3 years old unattended!



WARNING!

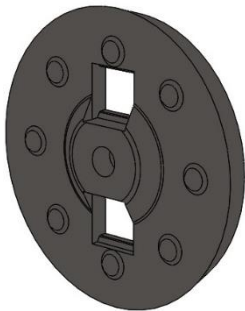
Strong Magnetic Field. Keep more than 18 inches away from compass!



WARNING!

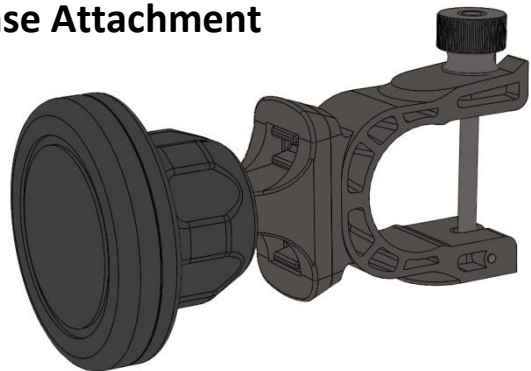
Never attach more than 6oz of weigh at any point on the cyclic crossbar!

Other BoxElder Products

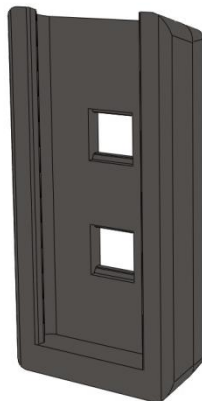


**ASA Aviation
Timer Mounting
Accessory**

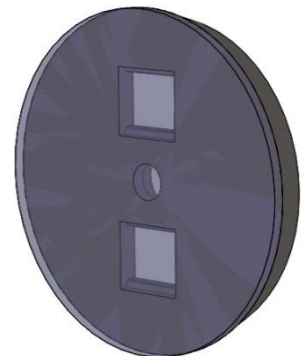
**Magnetic Swivel
Base Attachment**



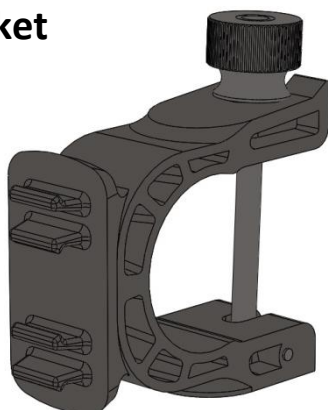
**Sporty's Aviation
Timer Mounting
Plate**



**Universal 1.5"
Disc with double
sided tape or
Velcro**



BoxElder Bracket



Custom Mounting Devices

We develop and manufacture custom mounting plates for a variety of applications. If your solution is not available, please contact us and we will discuss a possible solution to your problem

info@BoxElderHS.com

Tel: 631-508-3286